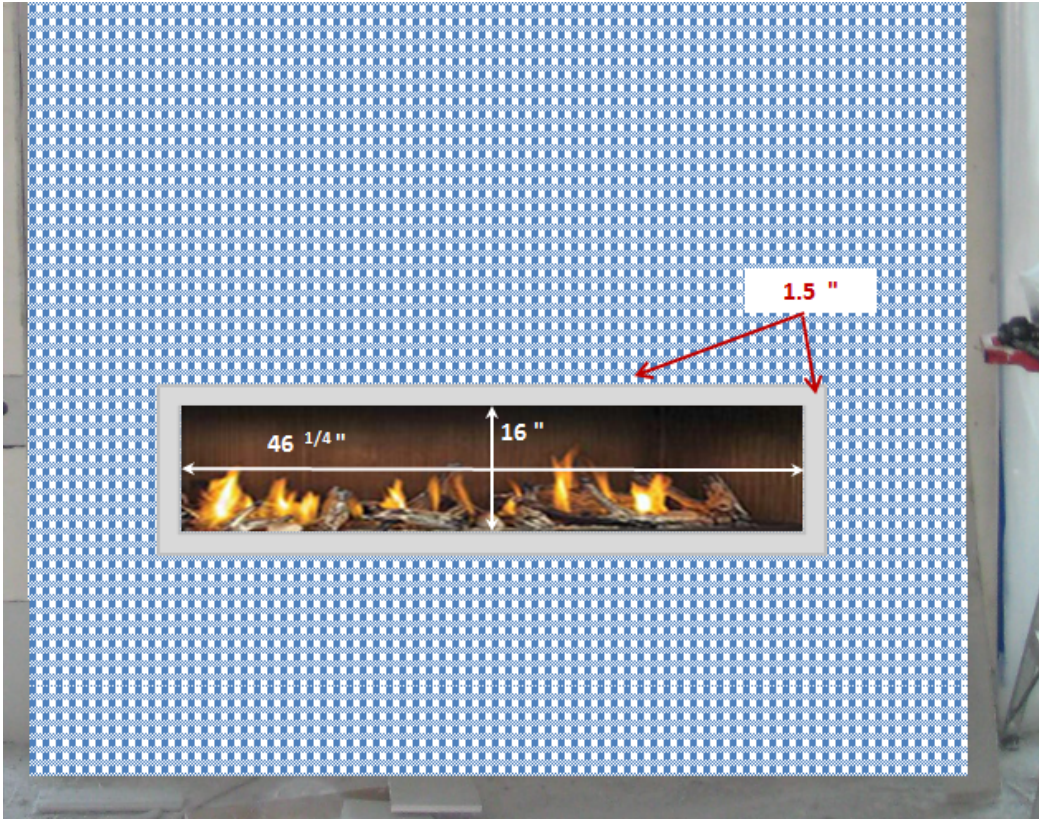


Fireplace Surround Dimensions

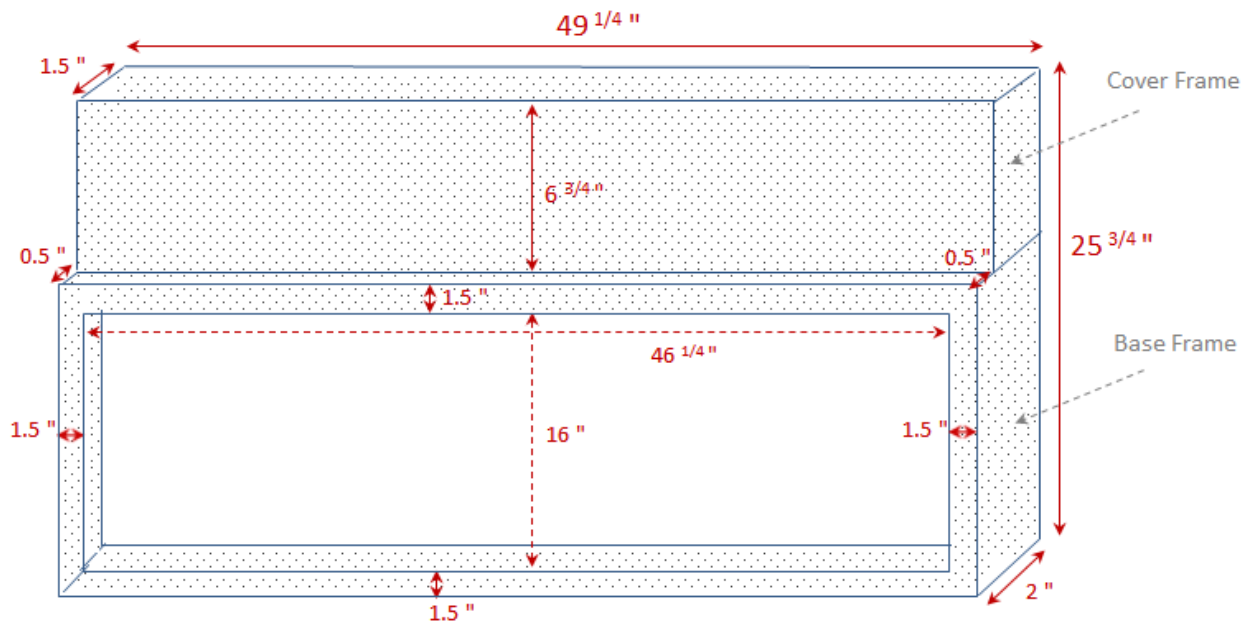
1. The fireplace was originally brick, which we framed over and installed cement board
 - a. The new face of the cement board is now 2" depth from the original brick face
2. The firebox surround currently has an opening with dimensions: $25\frac{7}{8}"$ h x $49\frac{3}{8}"$ w



3. The end goal is to have a fire place that has tiles on the entire face, and an **aluminum** firebox frame with the following dimensions:
 - a. $46\frac{1}{4}"$ w
 - b. 16" h
 - c. 1.5" thick metal surround around all 4 sides



4. Once the tiles are installed, the surface of the tiles should be flush with the surface of the 1.5" metal surround
5. The finished surround should look like the image below from the front (not drawn to scale)



6. To achieve the end goal a metal surround with a **base frame** will be fabricated
 - a. The frame face will have an inside and outside edge to create a 1.5" thick surround
 - b. This frame face will be visible after the tiles have been installed on the fireplace
 - c. The outer edge of the face will have the following dimensions:
 - i. 49 ¼ " width
 - ii. 19 " height
 - d. The inside edge of the face will have the following dimensions:
 - i. 46 ¼ " width
 - ii. 16 " height
 - e. The depth of the base frame will be 2"
 - f. The bottom and sides of the base frame will be fastened to the existing fireplace frame

7. A **cover frame** should be attached on top of the base frame to reduce the visible height of the firebox
 - a. The cover frame will be installed 0.5" offset from the front edge of the base frame
 - i. This allows the finish tiles to be flush with the face of the base frame
 - b. The cover frame will have the following dimensions:
 - i. 49 ¼ " width
 - ii. 6 ¾ " height
 - iii. 1.5 " depth
 - c. The top and sides of the cover frame will be fastened to the existing fireplace frame
 - d. The combined height of the base frame and cover frame should be 25 ¹³/₁₆ "

8. A side view of the surround should look similar to the following

